

STI POLYCARBONATE ENCLOSURE



STI-7510A



STI-7511D

PRODUCT OVERVIEW

Multipurpose lockable enclosure for a wide range of larger size devices, components and instruments, such as keypads, annunciators and automated external defibrillators (AEDs) which require protection from vandalism, accidental damage, as well as the elements, such as dirt and grime. Spacers, integrated hinge and covers are formed from tough polycarbonate material. The polycarbonate enclosures are backed by a three year guarantee against breakage and damage in normal use. STI enclosure is lockable with either a key or thumb lock.

KEY FEATURES

General Information

- Protection for large units against physical damage, grime and severe environments.
- Can be used over volume or lighting controls.
- Each protected unit can be clearly seen and quickly identified.
- Three year guarantee against breakage of polycarbonate in normal use.

Construction

- 94V-2 flammability rating.
- Cover, integrated hinge and spacers are formed from tough polycarbonate material.

Installation

- Fast and easy installation.
- Mounting hardware and gaskets are included.
- Typical working properties of polycarbonate are -40° to 250°F (-40° to 121°C).

Options

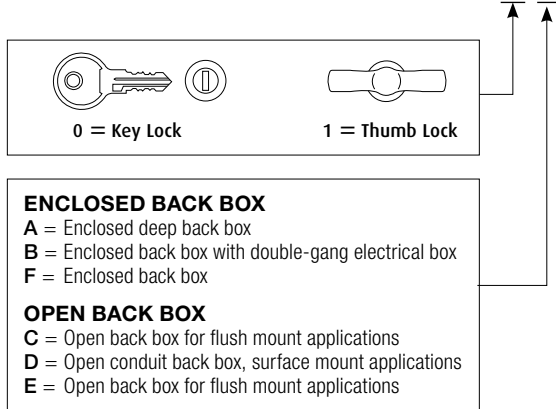
- Key or thumb lock available.



STI Polycarbonate Enclosure

Dimensions and Technical Information

BUILD YOUR MODEL STI-751



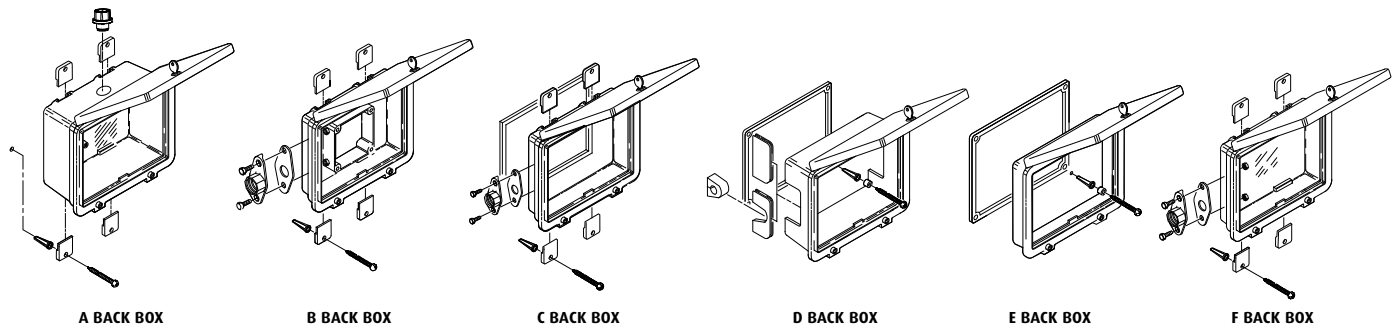
STI-7510 and STI-7511 with back box "A", "E" or "F" also available in white polycarbonate. Add "-OW" to the part number (i.e. STI-7510A-OW).

Accessories

- KIT-H18021 NEMA 4X** 3/4" rigid conduit hub for "A" back box
- KIT-H18054** Two replacement keys #CH751
- KIT-318** Adapter plate used for mounting "A", "B" or "F" back box to pedestal
- KIT-6297B20** 3/4" conduit hub for "B", "C" and "F" back boxes
- STI-1283*** Backplate

*Recommended for use on unstable or uneven surfaces and weather applications.

NOTE: Below pictures illustrate back box differences.



APPROVALS & WARRANTY

TESTING

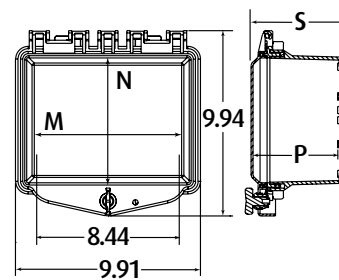
- STI-7510E-OW and STI-7511E-OW
- UL Recognized Component
- For use on a flat surface of Type 3R industrial control panels

WARRANTY

Three year guarantee against breakage of polycarbonate in normal use.

NOTICE

STI recommends replacement of gaskets every five years for outdoor applications.



B	STI-7510/7511				
A	M	N	P	S	
C	A 8.45	5.91	4.54	5.17	
K	B 8.56	5.91	1.74	3.01	
	C 8.56	5.91	2.38	3.01	
B	D 7.43	5.44	3.93	4.04	
O	E 7.43	5.44	2.15	2.26	
X	F 8.56	5.91	2.38	3.01	



Safety Technology International